



**chlorinators incorporated**

1044 SE Dixie Cutoff Road, Stuart, Florida 34994 USA

Phone: (772) 288-4854 Fax: (772) 287-3238

www.regalchlorinators.com Email: regal@regalchlorinators.com

# REGAL SMARTVALVE™

## Models 7001 and 7006

### Flow Proportional Control

Model 7001.....Flow Proportional Control (10 to 500 PPD)  
 Model 7001A (Ammonia).....Flow Proportional Control (10 to 100 PPD)  
 Model 7006.....Flow Proportional Control (1000/2000 PPD)

## INTRODUCTION

As population increases, municipal water and wastewater treatment facilities must also increase in size in order to supply and treat the greater demand for water. As the plants increase in size, so do the distribution and piping systems carrying this water to and from the population. These piping systems cover many, many miles making it difficult to maintain suitable disinfection and stable residuals using manual chlorine, sulfur dioxide and ammonia gas feed systems.

The REGAL SMARTVALVEST™ discussed in this bulletin solve the problem whenever varying water flow needs to be controlled accurately (and automatically) to provide the correct ratio of chemical to water at all times. **NO WASTED CHEMICAL.**

## IMPORTANT NOTES

- All software including design, appearance, algorithms, and source codes are copyrighted and owned by Chlorinators Incorporated.
- The entire contents of this manual **MUST** be read and understood prior to installing and operating this equipment.
- DO NOT** discard this instruction manual upon completion of the installation as this manual contains information essential to the safe handling, operation, and maintenance of this equipment.
- Additional instruction manuals are available at nominal cost from Chlorinators Incorporated.
- Plastic pipe or tubing connector fittings may be broken or damaged if tightened excessively. **HAND TIGHTEN ONLY.**
- For optimum operation, the installation should be indoors so that the minimum and maximum temperature limitations as listed in the "TECHNICAL SPECIFICATIONS" section of this manual are not exceeded.

## WARNINGS

- This equipment is suitable for use only with the gases specified. **DO NOT USE THIS EQUIPMENT WITH OTHER GASES.** Such use can result in failures having hazardous consequences.
- This equipment is designed FOR VACUUM SERVICE **ONLY.**
- To insure proper and safe operation of this equipment, use only REGAL parts. The use of non-REGAL parts can result in equipment failures having hazardous consequences and voids the REGAL warranty and insurance coverage.
- Maintenance should be performed by competent personnel familiar with this type of equipment, such as Chlorinators Incorporated themselves.
- It is essential that all external wiring be done exactly as shown on the wiring diagrams depicted in this manual. Incorrect wiring or improper grounding of this equipment **WILL** cause improper operation and presents a safety hazard.
- Field wiring **MUST** conform to national and local electrical codes.
- DISCONNECT POWER BEFORE** removing the cover or servicing this equipment.
- ALWAYS** make sure that the cover is in place and securely fastened to prevent the entry of moisture, water, or corrosive gases and also to eliminate the potential for electric shock.
- Any equipment powered by AC line voltage presents a potential shock hazard. Installation and servicing of this equipment should only be attempted by qualified electronics technicians.
- This non-metallic enclosure **DOES NOT** automatically provide grounding between the conduit connections. Grounding **MUST** be provided as part of the installation.
- Damage to the circuit boards or internal components incurred by drilling the enclosure for field wiring or connecting power lines to low voltage signal terminals voids the warranty.
- Changing parameter settings and selections **WILL** affect the operation of this equipment. If unsure, consult Chlorinators Incorporated **BEFORE** changing parameters or selections.

**CHLORINATORS INCORPORATED  
ONE (1) YEAR LIMITED WARRANTY**

Chlorinators Incorporated (hereinafter called "C.I.") sets forth the following warranties with respect to its REGAL Series 7000 SMARTVALVE™. This warranty does not apply to the purchase of spare parts or other services performed by C.I. or its authorized dealers. This represents the entire agreement between C.I. and Buyer (also referred to as "end-user") and shall apply unless modified in writing and signed by a C.I. Officer, and this warranty and its intended terms shall supersede any prior negotiations, correspondence, understandings, or agreements, written or oral. The Buyer agrees to and accepts all terms of this warranty by its contracting for or acceptance of C.I.'s products, and forms or other documents or statements issued by Buyer or any other person shall not modify or otherwise affect any of the following terms. Buyer should be aware that reseller must rely entirely upon Chlorinators Incorporated's warranties, or assume their own responsibility.

***The following states C.I.'s entire warranty and represents Buyer's exclusive remedy with respect to its product. Such warranties are expressly given in lieu of any other warranty, expressed or implied, including but not limited to those of merchantability and fitness for a particular purpose. This expressed warranty or any other warranty implied by law shall not cover defects due to accident, improper use, or non-compliance with C.I.'s operating and maintenance, assembly, installation manual and instructions.***

Recommendations and advice as to specifications, capabilities, design, installation, engineering, application, and use of products are provided as an accommodation and are intended only as suggestions. C.I. assumes no liability for such recommendations and advice and they are not to be construed as constituting any warranty, expressed or implied.

**TERMS OF WARRANTY**

C.I. warrants its REGAL Series 7000 SMARTVALVE™ for a period of one (1) year from date of shipment from C.I. Date of shipment from the factory shall be determined solely on the basis of the serial code affixed to the SMARTVALVE's enclosure. The serial number contains a date code. All serial numbers are also registered by Chlorinators Incorporated as to date of shipment, model number, accessories, options, and billing name. If the serial number is missing, defaced, changed, or in any way rendered unreadable, Chlorinators Incorporated shall, at its option, have the right to declare the warranty void. If the serial number does not match the registered model number as to, but not limited to, such items as accessories or options, the same shall apply.

The warranty shall apply against material defects in components and workmanship occurring in the course of manufacture. Buyer's sole remedy for breach of said warranty shall be, at C.I.'s option, either repair or replacement of any unit which is received by C.I. at its plant in Stuart, Florida (shipping charges prepaid by buyer), within the time period set forth above and which is found by C.I. to be defective by reason of manufacture.

***Notwithstanding the foregoing, C.I. shall not be liable to Buyer for damages, including personal injury or death to any person or persons, or claims of any kind by a third party or property damage or loss of business or profits. In no event shall C.I. be liable to Buyer for consequential or accidental damages of any kind, even if C.I. was aware of the possibility of such damages. There are no remedies except those set forth. Further, that there are no other authorized warranty repair facilities other than those at the Chlorinators Incorporated factory in Stuart, Florida.***

**EXCLUSIONS**

The following are considered external environmental factors beyond the control of C.I., and which may cause damage and/or need for service which will be specifically excluded from this warranty (i.e., not a material defect in components and workmanship occurring in the course of manufacture).

1. Damage by extraneous causes such as fire, water, lightning, chemical or galvanic attack, etc.
2. Damage to the circuit boards or internal components incurred by drilling the enclosure for field wiring.
3. Damage due to the connection of power lines to low voltage signal terminals.
4. Physical damage due to force, dropping, misuse or other abuse.
5. Use other than that as described in this Instruction Manual (misapplication).
6. Repair by someone other than Chlorinators Incorporated.
7. Improperly installed.
8. This warranty **DOES NOT** cover wear items subject to periodic replacement such as sensors, generating cells, fuses, batteries, o-rings, gaskets, seals, packing, etc.

The exclusions listed above are provided for purposes of clarification, and are not intended to, in any way, limit or eliminate other possible exclusions.

**NO OTHER WARRANTIES**

Unless otherwise explicitly agreed in writing, and signed by a C.I. officer, it is understood that this is the only written warranty given by C.I. for the systems and components stated.

***The dealers or representatives of C.I. may not make verbal representations that add, modify or change the written warranties contained herein or change the extent and nature of C.I.'s liability. In no event shall C.I. be liable for direct, consequential, special, incidental or punitive damages of any kind with respect to the product, including but not limited to those which may allegedly arise out of breach of warranty, breach of contract, negligence, strict liability, or any other law, governmental regulation, or court decision, except as provided herein.***

# PRECAUTIONS FOR PERSONAL AND SYSTEM PROTECTION

1. Read these and all related instructions thoroughly and follow them carefully.
2. Make certain all required safety equipment is in place and operational.
3. Whether it is required or not, a gas mask (DEMAND TYPE AIR PACK) should be available in the immediate area of the gas feed equipment and all operating personnel should be properly trained in its use. OPERATORS SHOULD NOT ENTER AREAS WHERE CHLORINE EXISTS, UNESCORTED.
4. Chlorine, Sulfur Dioxide, and Ammonia gas or the fumes from Chlorine, Sulfur Dioxide, and Ammonia solutions can be lethal in large enough doses. Always have a coworker observe from a safe location when you are working on any part or component of the gas feed system.
5. Avoid breathing the gas fumes of Chlorine, Sulfur Dioxide, and Ammonia solutions and AVOID contact with your skin. Work only in a well ventilated area.
6. Before working on the gas feed system, make certain that the cylinder/container/manifold valve(s) are shut off. If the cylinder/container/manifold valve(s) seem to be shut off, open them one quarter turn, and immediately close them again to make certain they are not frozen in the open position. If you cannot turn the valve(s) in either direction, ALWAYS ASSUME THEY ARE OPEN, and call your chemical supplier.
7. Do not use wrenches larger than the standard cylinder/container wrench (approximately 8" long) and DO NOT hit the wrench with a heavy object to open or close the valve.
8. Do not reuse lead gaskets. They may not seal properly thereby permitting the release of gas.
9. Use only lead gaskets. Other types may contract with temperature variations resulting in the escape of gas.
10. Check for gas leaks every time the vacuum regulator(s) are connected or remounted onto the cylinder/container/manifold valve.
11. The rate valve IS NOT a shut-off valve. To shut off the gas supply, CLOSE THE CYLINDER/CONTAINER/MANIFOLD VALVE(S).

## IMPORTANT:

Please mail or fax this registration form to establish your warranty.

### REGAL Registration Card

#### REGAL REGISTRATION CARD

**IMPORTANT:** To further establish your warranty and to enable us to contact you should the need arise, please fill out this card and return it promptly. Please do it now. Thank you.

Chlorinators Incorporated, Stuart, FL is the only authorized Warranty Repair facility for REGAL GAS DETECTORS/SMARTVALVES.

#### PLEASE PRINT, THANK YOU

Gas Detector/SMARTVALVE Serial No.(s)\* 1. \_\_\_\_\_ 2. \_\_\_\_\_

\*Serial No. plate located inside unit on the right

Purchased From \_\_\_\_\_

Your Name \_\_\_\_\_ Title \_\_\_\_\_

Organization \_\_\_\_\_

Mailing Address \_\_\_\_\_

City \_\_\_\_\_ State \_\_\_\_\_ Zip \_\_\_\_\_

Phone (\_\_\_\_\_) \_\_\_\_\_ Ext. \_\_\_\_\_

# CONTENTS

## 1.0 INTRODUCTION

- A) The Importance of Mixing
- B) The Importance of Proper Sizing of System Components
- C) Transient Voltage Surge Suppression

## 2.0 INSTALLATION

- A) Location of Components
- B) Pipes, Tubing and Fittings
- C) Electrical Interconnections

### IMPORTANT:

Fill out and mail or fax the form on the reverse side to establish your warranty.



**CHLORINATORS INCORPORATED**  
1044 SE Dixie Cutoff Road  
Stuart, FL 34994-3436

## 3.0 GENERAL INFORMATION PRIOR TO START-UP

## 4.0 ENGINEERING MODE

- A) To Enter the Engineering Mode
- B) Engineering Parameters
- C) To Exit the Engineering Mode

## 5.0 CONFIGURATION MODE

- A) To Enter the Configuration Mode
- B) Configuration Parameters
- C) To Exit the Configuration Mode

## 6.0 SYSTEM START-UP

- A) Linearizing (Calibrating) the SMARTVALVE

## 7.0 OPERATIONAL MODE

- A) Manual Operation
- B) Automatic Operation

## 8.0 MAINTENANCE

- A) Calibrating the Analog Input(s)
- B) Calibrating the Analog Output
- C) Setting the Mechanical Zero

## 9.0 SPECIFICATIONS

PLACE  
STAMP  
HERE

## DRAWINGS AND PARTS LIST

<b>Drawing No. 1</b>	Typical Installation of Flow Proportional Control
<b>Drawing No. 2</b>	SMARTVALVE Installation to Provide Both Manual and Automatic Operation
<b>Drawing No. 3</b>	Using REGAL Terminal Strips Terminal Strips located in SMARTVALVE Junction Boxes
<b>Drawing No. 4</b>	Terminal Strip Designations
<b>Drawing No. 5</b>	Display Circuit Board (Part No. 7070)
<b>Drawing No. 6</b>	Power Supply Circuit Board (Part No. 7071)
<b>Drawing No. 7</b>	Use of External Surge Suppressors Consult manufacturer of surge suppressor for installation and wiring specifics
<b>Drawing No. 8</b>	Control Valve Assembly for 10 to 500 PPD (Part No. 7003)
<b>Drawing No. 9</b>	Control Valve Assembly for 1000/2000 PPD (Part No. 7004)
<b>Drawing No. 10</b>	Engineering Data Sheet for SMARTVALVE Dimensions
<b>Drawing No. 11</b>	7500 Remote Meter Panel Assembly for 10 to 500 PPD Systems
<b>Drawing No. 12</b>	Remote Meter Panel Assembly for 1000/2000 PPD Systems
<b>Drawing No. 13</b>	Dosage Explanation



**IMPORTANT: THE ENTIRE CONTENTS OF THIS MANUAL MUST BE READ AND UNDERSTOOD PRIOR TO INSTALLATION, STARTUP, AND OPERATION OF THIS EQUIPMENT. ALSO, DO NOT DISCARD THIS INSTRUCTION MANUAL UPON COMPLETION OF THE INSTALLATION AS THIS MANUAL CONTAINS INFORMATION ESSENTIAL TO THE SAFE HANDLING, OPERATION, AND MAINTENANCE OF THE EQUIPMENT.**

## 1.0 INTRODUCTION

REGAL Series 7000 SMARTVALVES are used to AUTOMATICALLY regulate the feed rate of a REGAL gas dispensing system. The Models (7001, 7001A and 7006) covered in this manual are used specifically for Flow Proportional Control which applies to systems where the water flow varies but the quality of the water remains the same. In this control scheme, a Water FLOW Meter, located in the main water line, continuously transmits a 4-20 milliamp signal to the SMARTVALVE indicating variations in the water flow rate. The SMARTVALVE then responds by automatically adjusting the chemical feed rate in direct PROPORTION to the water flow. The Models 7001 and 7006 may be used for either Chlorine (CL<sub>2</sub>) or Sulfur Dioxide (SO<sub>2</sub>) gas feed systems. Model 7001A is used strictly for Ammonia (NH<sub>3</sub>).

**MODEL 7001** is used for 10 PPD (200 gm/hr) to 500 PPD (10 kg/hr) systems.

**MODEL 7001A** is used for 10 PPD (200 gm/hr) to 100 PPD (2 kg/hr) AMMONIA (NH<sub>3</sub>) gas feed systems.

**MODEL 7006** is used for 1000 PPD (20 kg/hr) and 2000 PPD (40 kg/hr) systems.

### A) THE IMPORTANCE OF MIXING

Complete and rapid mixing of the chemical solution at the point of application CANNOT BE OVERSTATED. Without proper mixing, control will be erratic and unacceptable due mainly to the chemical's tendency to stratify (horizontally and vertically), even around bends and sharp corners. A quick, thorough mix will enhance the chemical contact time resulting in more constant, stable residual readings.

Injecting the chemical solution into a full, turbulent flowing pipeline generally provides a complete mix in a matter of seconds and a relatively short distance (10-20 times the pipe diameter). Also, it is very important that the chemical solution be injected into the center one-third of the pipeline. In a pipeline that is not flowing full, external mixing devices (static mixers, mechanical mixers, flash mixers, propeller mixers, etc.) MUST be used. These devices should always be located just after the chemical injection point and, to prevent off-gassing and corrosion, it is ESSENTIAL that the chemical solution be injected directly into the water stream, NOT above it.

### B) THE IMPORTANCE OF PROPER SIZING OF SYSTEM COMPONENTS

Use the following guideline to properly size the system components.

- 1) The REGAL Gas Feed System should be sized so the average gas feed rate falls within the middle third of the system's capacity (maximum feed rate).
- 2) The water flow meter and transmitter must be sized, or scaled, so the maximum water flow coincides with the maximum feed rate (capacity) of the SMARTVALVE.

## C) TRANSIENT VOLTAGE SURGE SUPPRESSION

(See Drawing No. 7)

In order for automatic control systems to operate properly, the individual components must have "clean" signals that are free of accumulated transients and protected against electrical power surges. Electrical surges travel along AC lines, data lines, analog signal lines, communication lines, and virtually any conductor they can find. A powerful surge can totally destroy solid state circuits and their components. Therefore, it is essential to install external power conditioning equipment such as surge suppressors and filters. REGAL SMARTVALVES should be protected with suppression devices placed on the incoming AC power line and on the incoming DC analog signal lines. The analog signal lines for flow inputs and residual analyzer inputs should provide a voltage clamp at a maximum of 12 volts.

## 2.0 INSTALLATION

(See Drawing Nos. 1 and 2)

The REGAL Models 7001 and 7006 SMARTVALVES are just one component in a REGAL complete gas feed system. Therefore, it is essential for all other system components to be in proper operating condition prior to installation. If the REGAL SMARTVALVE is being added to an existing gas feed system, some changes to system components may be required to ensure proper function. Refer to the Instruction Bulletin provided with your REGAL gas feed system for more information. Also feel free to contact your local REGAL dealer or Chlorinators Incorporated directly.

**IMPORTANT:** When shipped from the factory, the REGAL Model 7001 or 7006 SMARTVALVE will be sized to the capacity specified by the customer at the time of purchase. If the capacity needs to be changed for any reason, the Valve Plug size, Remote Meter Panel, and other system components may also need to be changed. Consult your REGAL dealer or Chlorinators Incorporated for further assistance.

**NOTE:** It is highly recommended to use exclusively REGAL components to ensure proper, consistent function of the system.

### A) LOCATION OF COMPONENTS

(See Drawing No. 1)

The REGAL SMARTVALVE should be wall mounted at eye level in an area where it is easily accessible and provides a clear view for easy operation. For optimal performance, the installation should be indoors so that temperature limitations are not exceeded. SEE SPECIFICATIONS.

**IMPORTANT:** Make sure the enclosure cover is in place and securely fastened to prevent the entry of moisture or corrosive gases while also eliminating the possibility of electric shock.

## **B) PIPES, TUBING, AND FITTINGS**

All REGAL SMARTVALVES from 10 to 500 PPD are furnished with appropriate size connectors to match the capacity of the gas feed system. The SMARTVALVES with capacities of 1000 and 2000 PPD are furnished with PVC unions to be used with 1- inch Schedule 80 PVC piping (supplied by others). Larger size piping may be required if long distances between components are necessary.

The SMARTVALVE is connected to the vacuum tubing (or piping) between the gas feed systems remote metering panel assembly and the ejector as shown on the drawings in this manual.

**NOTE:** The following installation guideline is a very basic description of how to interconnect all the system components. A more efficient method that allows quick and easy conversion of the system to full manual operation is illustrated on drawing No. 2.

### **On a STANDARD (non-switchover) system:**

- 1) Connect a suitable length of tubing (or pipe) from the regulator's VACUUM (outlet) fitting to the remote metering panel assembly's BOTTOM (inlet) fitting.
- 2) Connect another length of tubing from the TOP (outlet) fitting of the remote metering panel to the SMARTVALVE'S inlet fitting, located on the side of the valve plug enclosure.
- 3) Connect a length of tubing from the outlet (bottom) fitting of the SMARTVALVE to the vacuum fitting of the ejector assembly.
- 4) Finally, connect a length of tubing to the bottom (vent) fitting of the vacuum regulator, routing it outside to a safe location with the end pointing downward and covered with bug screen.

### **On an automatic SWITCHOVER system:**

- 1) Connect a suitable length of tubing (or pipe) from each regulator's vacuum (outlet) fitting to the side fittings on the pressure relief valve.
- 2) Connect a length of tubing from the top fitting of the pressure relief valve to the remote metering panel assembly's BOTTOM (inlet) fitting.
- 3) Connect a length of tubing from the TOP (outlet) fitting of the remote metering panel to the SMARTVALVE'S inlet fitting located on the side of the valve plug enclosure.
- 4) Connect a length of tubing from the SMARTVALVE'S bottom (outlet) fitting to the vacuum fitting on the ejector assembly.
- 5) Finally, connect a length of tubing from the bottom connection of the pressure relief valve, routing it outside with the end facing down and protected with bug screen.

## **NOTES:**

- 1) The inlet fitting of the SMARTVALVE can be rotated, if necessary, on 90 degree centers for proper alignment of the vacuum fitting with the other system components.
- 2) Use Teflon tape on all threaded plastic connections to prevent galling of the threads; provide a vacuum tight seal; and facilitate easy removal when necessary.
- 3) DO NOT over tighten fittings as damage to the fittings and system components could occur. HAND TIGHTEN ONLY.

## **C) ELECTRICAL INTERCONNECTIONS**

(See Drawing Nos. 6 and 7)

- 1) It is essential that all external wiring be done exactly as shown on the wiring diagrams in the manual. Incorrect wiring or improper grounding WILL cause operational problems.
- 2) All wiring and fusing MUST conform to the National Electric Code as well as any local codes.
- 3) AVOID ELECTRICAL SHOCK. Do not connect power wiring at the source distribution panel until ALL wiring connections have been made in the SMARTVALVE and the cover is securely fastened in place.
- 4) Servicing of this equipment should only be done by qualified electronics technicians or by Chlorinators Incorporated.
- 5) EXTERNAL surge suppression devices should also be a normal part of all electronic component installations. These devices should be placed on all incoming AC power circuits and, where applicable, on all incoming DC signal lines. They MUST be chosen and sized properly (especially when used on 4-20mA DC signal lines) to assure maximum protection while preventing the surge suppressor itself from overloading the line resulting in signal loss.
- 6) State-of-the-art voltage surge suppressor components and RFI/EMI filtering circuits are integrated into the electrical circuitry of each electronic device. However, these internal components are in place only as a last line of defense to absorb electrical surges and spikes before they cause irreparable damage.
- 7) Power and signal lines MUST be run in separate electrical conduits to prevent signal interference.
- 8) The branch circuit should be protected by a fuse or a breaker with an accessible disconnect switch.

## 3.0 GENERAL INFORMATION PRIOR TO START-UP

**IMPORTANT:** Once installation is complete and BEFORE AC power is applied to the SMARTVALVE, make sure the internal power switch located on the 7071 Power Supply Board is in the ON (upward) position. Also confirm that the voltage (115 vs. 230) switch is set to your specification. See Drawing No. 6.

AFTER the power and voltage switch positions have been confirmed, AC power may be applied to the SMARTVALVE. When first powered up, the SMARTVALVE will be set in the OPERATIONAL MODE of the Factory Default FLOW (Flow Proportional) Control Scheme. Since the water flow input signal is not yet activated, the TOP LINE of the SMARTVALVE display screen will read: **AIN1 (FLOW) LOSS**

Simply press the far right keypad button (**ACK**) to acknowledge the loss of signal.

The TOP LINE of the screen will then display: **FLOW-----% MANL**, which represents the water flow in percentage and also indicates the SMARTVALVE is set for Manual (**MANL**) Operation.

The BOTTOM LINE of the screen will display: **VALVE 0.0 PPD MENU**, representing the gas feed at zero PPD (lbs. per day) along with the Operational Mode Menu button. **NOTE:** If the valve is factory set for metric scale, the feed rate will be in grams (g) or kilograms (kg) per hour (h).

**IMPORTANT:** All Engineering and Configuration Parameters must be properly set prior to operation of the SMARTVALVE. The next two sections (4.0 ENGINEERING MODE and 5.0 CONFIGURATION MODE) of this manual explain how to view and/or make any necessary changes to these parameters.

## 4.0 ENGINEERING MODE

**NOTE:** The keypad buttons will sometimes be referred to in left to right numerical order (#1, #2, #3, #4) for easy reference.

### A) TO ENTER THE ENGINEERING MODE

- 1) Simultaneously press and hold the #3 and #4 keypad buttons for approximately five seconds until the TOP LINE of the display screen reads: **ENT ENG PW 0 \* \* \*** (Enter Engineering Password).
- 2) Press the **NEXT** keypad button three times until the factory default password (**0 0 0 0**) appears. Then press **ENT** (enter) to accept.
- 3) The TOP LINE will now display the first Engineering parameter: **CAL AIN1 (FLOW)**.

**NOTE:** To properly set this and all remaining Engineering parameters, proceed to the following list which includes a full explanation with instructions for each parameter. The parameters are listed in the order they appear while in the Engineering Mode.

### B) ENGINEERING PARAMETERS

- 1) **CAL AIN1 (FLOW)**  
CALIBRATE ANALOG INPUT NO. 1 is for the Water Flow Meter Input. This input has been factory calibrated and should not need adjustment prior to startup.
- 2) **CAL AOUT**  
CALIBRATE ANALOG OUTPUT – The analog OUTPUT may be used to transmit the SMARTVALVE output (Gas Feed Rate) signal to another device(s). The output has been factory calibrated and should not need adjustment prior to start-up.  
**NOTE:** As mentioned, parameters No. 1 and 2 have been factory calibrated and should not need adjustment prior to startup. However, if recalibration should prove necessary in the future, refer to Section 8.0 (Maintenance).
- 3) **VALVE CAL PTS**  
VALVE CALIBRATION POINTS refers to the number of points (in percentage) used to Linearize (calibrate) the SMARTVALVE to coincide with the Remote Metering Tube. The selections are: 2, 5, 6, 11, or 15. Factory setting is 5, which represents: 0, 25, 50, 75, & 100 percent of the system capacity. To change the setting, press **ADJ** (adjust). Scroll **UP** or **DOWN** to the desired selection. Press **ENTER** to accept. Press **NEXT** to proceed to the following parameter.
- 4) **CAL VALVE**  
CALIBRATE (LINEARIZE) VALVE - The SMARTVALVE is linearized at the factory prior to shipment. HOWEVER, it is recommended to check the linearization when the system is first started up. This will be covered in more detail in Section 6.0 (SYSTEM STARTUP).



#### 5) VALVE SPEED

VALVE SPEED allows the user to vary the speed of the SMARTVALVE stepper motor as it moves the position of the Valve Plug to adjust the Gas Feed Rate. The selections refer to seconds per revolution. Choices are: 0.5, 1.0, 1.5, 2.0, 3.0, 5.0, 7.5, & 10.0. Factory setting is 1.5.

**NOTE:** To change this and all remaining Engineering parameters, simply press **ADJ**. Scroll **UP** or **DOWN** to the desired value. Press **ENTER** to accept. Press **NEXT** to proceed to the following parameter.

#### 6) VALVE HYS

VALVE HYSTERESIS places a “dead band” around the input signal(s) to limit response to minor signal variations. This helps prevent wear and tear on the stepper motor and feedback potentiometer. Selections in percentage are: Off, 0.06, 0.13, 0.25, 0.38, 0.50, 0.75, 1.00 and 2.00 %. Factory setting is 0.13 %.

#### 7) FAIL OPERATION

FAIL OPERATION allows the user to choose how the SMARTVALVE will respond to a loss of the analog input signal(s). Selections are **HOLD** or **DROP**. HOLD will keep the Feed Rate at its current level and DROP will lower the Feed Rate to Zero.

**NOTE:** FAIL OPERATION is the final parameter to check/change before exiting the Engineering Mode.

### C) TO EXIT THE ENGINEERING MODE

- 1) Press **ESC** (Escape).
- 2) After pressing Escape, you will be asked if you would like to **ENTER NEW ENG PWD** (Enter a new Engineering Password?).
- 3) Press **NO** to keep the existing password and to return to the Main Operating Screen.
- 4) Press **YES** to change the password. The TOP LINE of the display will read: **NEW ENG PW 0 ? ? ?**
  - a) Press the **UP** or **DOWN** keypad button(s) repeatedly until the preferred FIRST digit is displayed. Then press **NEXT** to accept the new value.
  - b) The number 0 will appear as the second digit. Once again, use **UP** or **DOWN** to scroll to the preferred number. Then press **NEXT** to accept and continue to the third digit.
  - c) Repeat the same steps to select the third and fourth digit.
  - d) Finally, press **ENT** (Enter) to accept the New Password and return to the Main Operating Screen.

**NOTE:** At this time, if any changes to the settings were made while in the Engineering Mode, you will be asked if you want to **SAVE CHANGES?** Press **YES** or **NO** accordingly and you will return to the Main Operating Screen.

## 5.0 CONFIGURATION MODE

**IMPORTANT:** Once all Engineering parameter settings have been confirmed, proceed directly to the next section (5.0 CONFIGURATION MODE) to check and/or change the Configuration parameter settings.

The Configuration Mode is used to set the basic valve parameters. Each parameter MUST be checked and/or changed prior to placing the system into operation. Simply enter the configuration mode as explained below and the parameters will be displayed individually in the order they are listed. The list includes a detailed description of each parameter along with the settings and control schemes that apply.

### A) TO ENTER THE CONFIGURATION MODE

- 1) Press and hold the far right (**#4**) keypad button for approximately five seconds and you will be asked to enter the Configuration Password. The TOP LINE of the screen will read: **ENTER CFG PW 0 \* \* \* .**
- 2) Press the **NEXT** keypad button three times until the factory default password (**0 0 0 0**) is displayed.
- 3) Press **ENT** (Enter) and the first Configuration Parameter (**FLOW UNITS**) will appear.

**NOTE:** See page 10 for Configuration Parameters.

## B) CONFIGURATION PARAMETERS

<u>PARAMETER</u>	<u>DESCRIPTION AND SETTINGS</u>
1) FLOW UNITS	<p>The Water FLOW UNITS are available in % (percent), <b>GPM</b> (gallons per minute), <b>MGD</b> (million gallons per day), <b>L/s</b> (liters per second), <b>m3s</b> (cubic meters per second), and <b>m3d</b> (cubic meters per day). Factory set in %.</p> <p><b>NOTE:</b> To change this parameter and any other Configuration parameter, simply press <b>(ADJ)</b> adjust. Use the <b>UP</b> and <b>DOWN</b> buttons to scroll to the preferred selection. Press <b>ENTER</b> to accept, then press <b>NEXT</b> to continue to the following parameter.</p>
2) FLOW RANGE	<p>Sets the maximum WATER flow according to the selected FLOW UNITS. Since the factory setting for Flow Units is percent, the FLOW RANGE is set to <b>100</b> (%).</p>
3) FLOW AVERAGE	<p>Allows the Flow Signal to be averaged over a specific time period before the SMARTVALVE makes any adjustments. This helps prevent wear and tear on the stepper motor and feedback potentiometer. The settings available are 0.2, 0.4, 0.6, 0.8, 1, 2, 3, 5, 8 &amp; 10 seconds. Factory set at <b>1</b>.</p>
4) VALVE UNITS	<p>Units used to monitor and regulate the gas feed rate. The choices are <b>PPD</b> (lbs. per day), <b>g/h</b> (grams per hour) and <b>kg/h</b> (kilograms per hour). Factory setting is <b>PPD</b>.</p>
5) VALVE FS	<p>Valve Full Scale is the maximum gas feed rate (capacity) of the SMARTVALVE based upon the Valve Units.</p> <p><b>IMPORTANT:</b> The SMARTVALVE is sized to the customer's specification at the time of purchase. If the Full Scale of the SMARTVALVE needs to be changed, the valve plug and other system components may also need to be changed.</p>
6) SP1 MODE	<p>SET POINT ONE MODE refers to the first of THREE available alarm Set Points. The Set Point Mode is used to activate alarm devices (if desired) and designate what condition the alarm represents. The selections are: <b>OFF</b>, <b>LOW</b>, or <b>HIGH</b>. If the SET POINT MODE setting is left in the factory default <b>OFF</b> position, no additional parameters will be made available for that particular alarm set point. However, if <b>LOW</b> or <b>HIGH</b> Mode is selected, the alarm is activated and the first of four (A thru D) Set Point parameters will be displayed as follows.</p> <p>A) <b>SP1 SRC</b> (SET POINT ONE SOURCE) refers to the source of the alarm. The choices will be <b>FLOW</b> (water flow level) and <b>VALVE</b> (gas feed rate).</p> <p>B) <b>SP1 RELAY</b> (SET POINT ONE RELAY). There are three (<b>K1</b>, <b>K2</b>, and <b>K3</b>) relay switches available on the SMARTVALVE's Power Supply Board (7071). Each active alarm Set Point <b>MUST</b> be assigned to one relay. Each relay may be used for more than one set point.</p> <p>C) <b>SP1 DELAY</b> (SET POINT ONE DELAY) allows the user to set a time delay from when the alarm set point level is reached until the alarm actually turns on. The range available is 0 to 60 seconds. Factory setting is 0.</p> <p>D) <b>SP1 HYS</b> (SET POINT ONE HYSTERESIS) allows the user to set a level above (or below) the set point that the source must return to before the alarm turns off. This setting is based upon the units used to measure the alarm source. e.g.- If the water FLOW level is the alarm source and the range is in percentage (%) with a <b>LOW</b> level set point of 10%, a 2% hysteresis setting would require the water level to reach 12% before the alarm turns off. Factory setting is 0.</p>
7) SP2 MODE	<p>SET POINT TWO MODE is used to activate (or de-activate) alarm Set Point No. 2. As is the case with Set Point No.1, the choices are: <b>OFF</b>, <b>LOW</b>, or <b>HIGH</b>. The factory setting (<b>OFF</b>) will de-activate the alarm and <b>LOW</b> or <b>HIGH</b> will activate it. If the alarm is activated, follow the same steps explained for alarm Set Point No. 1.</p>
8) SP3 MODE	<p>SET POINT THREE MODE. Follow the same steps as explained for Set Points No. 1 and 2.</p>

## C) TO EXIT THE CONFIGURATION MODE

- 1) Follow the same steps as explained in Section 4C (TO EXIT THE ENGINEERING MODE).

**NOTE:** The system is now ready for start-up.

## 6.0 SYSTEM START-UP

After all wiring and plumbing has been completed, and the Engineering and Configuration parameters have been confirmed, the system is ready for startup.

Once the system is up and running, the TOP LINE of the SMARTVALVE display screen will show the water **FLOW** rate in the selected units. The ball float in the remote metering tube should read the same gas feed rate as shown on the bottom line of the SMARTVALVE display screen. ALWAYS READ THE CENTER OF THE BALL FLOAT.

**IMPORTANT:** The REGAL 7500 Remote Meter Panel MUST be configured for AUTOMATIC control.

### A) LINEARIZING (CALIBRATING) THE SMARTVALVE

**IMPORTANT:** As previously mentioned, the SMARTVALVE has been calibrated (linearized) at the factory, however, it is still recommended that the user/installer checks and becomes familiar with the linearization process at startup, especially if all system components HAVE NOT been supplied by Chlorinators Incorporated. To check the linearization, proceed as follows:

- 1) ENTER THE ENGINEERING MODE as explained in Section 5.0.
- 2) Once in the Engineering Mode, scroll to the **CAL VALVE** parameter.  
**NOTE:** Linearization will be based upon the factory set, 5-point linearization curve. Confirm this setting by checking the previous (**LAST**) parameter, **VALVE CAL PTS** (Valve Calibration Points).
- 3) While observing the ball float in the Remote Metering Tube, press the **ADJ** (adjust) keypad button and the SMARTVALVE will start to drive to the ZERO feed rate position. The ball should come to rest on the bottom stop of the metering tube at exactly the same time the motor stops driving.
- 4) The Top Line of the SMARTVALVE display screen will show a ZERO VOLTAGE reading of **0.45 V**.

**NOTE:** A voltage reading from **0.41** to **0.49** is acceptable.

**IMPORTANT:** If for some reason the voltage reading falls outside of the acceptable range, contact Chlorinators Incorporated for assistance.

- 5) Once the correct ZERO voltage reading has been confirmed, press the **NEXT** keypad button and the SMARTVALVE will automatically open to the second linearization point which represents **25%** of the system's Full Scale (capacity). e.g.- For a 50 PPD system, 25% would be **12.5 PPD**.
- 6) If the reading on the metering tube panel equals the reading on the SMARTVALVE display screen, press **ENTER** and proceed to step 8.
- 7) If the readings **DO NOT** match, press **ADJ** (adjust). Use the **UP** and **DOWN** keypad buttons to move the ball float to the correct (**12.5 PPD**) reading on the metering tube. Once the value matches the reading on the display, press **ENTER** to accept.
- 8) Press **NEXT** and the SMARTVALVE will automatically open to the third linearization point representing 50% of the valve's capacity. e.g.- 50% of a 50 PPD system equals 25 PPD.  
**NOTE:** Follow the same procedure described in steps 6 and 7 to complete the 50% point. Then continue on to the fourth linearization point (75%) and the fifth linearization point (100%).
- 9) Linearization is now complete. Press **ESC** (escape) which accepts the Linearization and returns you to the Engineering parameter, **CAL VALVE**. Press **ESC** (escape) a second time, **SAVE CHANGES**, and you will return to the Main Operating Screen.

**NOTE: THE SMARTVALVE IS NOW READY FOR OPERATION. CONTINUE ON TO THE NEXT SECTION.**

## 7.0 OPERATIONAL MODE

The SMARTVALVE may be set to operate either automatically (**AUTO**) or manually (**MANL**), as needed. While in the Operational Mode, the TOP LINE of the main screen displays the water flow rate and also indicates if the valve is set for **AUTO** or **MANL** operation. To change the means of operation, press the **MENU** button. Only the non-active choice will appear on the screen. Press **MANL** or **AUTO** accordingly. The selection will be activated and appear on the top line (far right) of the display screen.

### A) MANUAL OPERATION

The SMARTVALVE provides four separate ways to manually adjust the gas feed rate which include:

- 1) **Fully Electric** – In the event of loss of the analog input signal, you can use the keypad and digital display. To adjust the feed rate, place the SMARTVALVE into manual (**MANL**) operation as previously explained. Then press the **VALVE** button. Use the **OPEN** and **CLOSE** buttons to change the feed rate while using the digital display or metering tube as a guide.
- 2) **Electric Manual** – If the remote meter assembly is temporarily out of service, use the thumbwheel and digital display. To adjust the feed rate, place the valve into **MANL** (manual) operation. Then turn the thumbwheel while using the digital display as a guide. **IMPORTANT:** To avoid gear damage and possibly upset the electrical zero setting, it is **ESSENTIAL** to place the valve into **MANL** operation **PRIOR** to turning the thumbwheel. Also, be sure to bypass the remote meter assembly by connecting the vacuum tubing from the regulator directly to the SMARTVALVE inlet fitting.
- 3) **Manual** – In the event of a power loss, use the thumbwheel and remote meter assembly. To adjust the feed rate, simply turn the thumbwheel while using the remote meter ball float as a guide.
- 4) **Fully Manual** – If it is necessary to temporarily bypass the SMARTVALVE entirely, use the remote meter rate valve assembly. See drawing No. 2 for proper installation.

### B) AUTOMATIC OPERATION

The Dosage and Alarm Set Point(s) are the only operational parameters for Flow Proportional Control.

- 1) **DOSAGE** – The dosage setting allows the user to adjust a ratio of the gas feed rate with respect to both the **VARIABLE** water flow and the **NON-VARIABLE** water quality. Settings are 0.0 to 4.0. Factory setting is 1.0.

**NOTE: For a better understanding of DOSAGE, refer to page 27 and Drawing No. 13.**

- a) To view or change the Dosage setting, press the **MENU** button, then press **DOSE**.
  - b) Use the **UP** and **DOWN** buttons to reach the preferred value. Press **ENTER** to accept and automatically return to the Main Operating Screen.
- 2) **ALARM Set Point(s)** – If any alarms were activated in the Configuration Mode, the alarm Set Point Levels **MUST** then be set (or changed) in the Operational Mode. If no alarms have been activated, the **ALARM** selection will not appear when the **MENU** button is pressed. The alarm set points available for Flow Proportional Control are **VALVE** (gas feed rate) or **FLOW** (water flow).
    - a) To set, or change, the active alarm levels, press the **MENU** button, then press **ALARM**. The display will read the set point number (**SP1, SP2** or **SP3**); followed by the source (**FLOW** or **VALVE**); followed by the level (**LOW** or **HIGH**) in the applicable units.
    - b) To change the level, press **ADJ** (adjust). Use the **UP** and **DOWN** buttons to display the preferred value. Then press **ENTER** to accept.
    - c) Press **NEXT** to proceed to any additional activated Set Points.
    - d) Follow the same instructions for all Set Points. Then press **ESC** (escape) to return to the main operating screen.

## 8.0 MAINTENANCE

### A) CALIBRATING THE ANALOG INPUT

**IMPORTANT:** The preferred Flow and/or Residual Units and Ranges **MUST** be preset in the Configuration Mode prior to calibrating the analog input(s).

The 4-20 mA analog Input (**AIN 1**) has been factory calibrated. If re-calibration becomes necessary, an accurate 4-20 mA signal generator is required. To begin calibration, enter the Engineering Mode and proceed as follows:

- 1) In the Junction Box located on the left side of the Main Enclosure, connect the 4-20 mA signal generator to Terminals **#1** (positive) and **#2** (negative).
- 2) Scroll to the **CAL AIN1 (FLOW)** parameter.
- 3) Apply 4.0 milliamps to the input terminals and then press the **ADJ** (adjust) button.
- 4) The displayed value should be **0.00**, representing zero water flow. Press **ZERO** which will then establish the 4mA signal as the zero value.
- 5) Now apply 20.0 milliamps to the terminals. Press the **SPAN** button. Use the **UP** and **DOWN** buttons to set the maximum water flow value. Then press **ENTER**.
- 6) This completes the calibration process.
- 7) Press **ESC** (escape) to return to the Engineering parameter list. Press **ESC** a second time and **SAVE CHANGES** to return to the main operating screen.

### B) CALIBRATING THE ANALOG OUTPUT

The analog output has been factory calibrated. If re-calibration proves necessary, an accurate digital VOM (volt ohm meter) is required. Proceed as follows:

- 1) In the junction box located on the left side of the Main Enclosure, connect the VOM to Terminals **#4** (positive) and **#5** (negative).
- 2) Scroll to the **CAL AOUT** (calibrate analog output) parameter and press **ADJ** (adjust).
- 3) Press the **4mA** keypad button and the digital display on the VOM should also read **4.00** mA.
- 4) If the values do not match, use the **UP** and **DOWN** buttons until the VOM displays **4.00** mA. Then press **ENTER** to accept.
- 5) Press the **20 mA** keypad button and the VOM digital display should read **20.0** mA.
- 6) If values do not match, use the **UP** and **DOWN** buttons until the VOM displays **20.0** mA. Then press **ENTER** to accept. Calibration is complete.
- 7) Press **ESC** (escape) to return to the Engineering parameters list. Press **ESC** a second time and **SAVE CHANGES** to return to the main operating screen.

### C) SETTING MECHANICAL ZERO

(See Drawing No. 12 for Model 7001 or No. 13 for Model 7006).

The mechanical zero valve plug position has been set at the factory and should not need resetting unless the SMARTVALVE is being serviced or a change in the system capacity is necessary.

**NOTE:** An 11/32" open end wrench is needed to set the mechanical zero valve plug position.

To change the valve plug position, enter the Engineering Mode as explained in Section 4.0 and then proceed as follows:

- 1) Scroll to the **CAL VALVE** parameter and press the **ADJ** (adjust) button.
- 2) After the motor stops turning and the SMARTVALVE displays a "**0**" PPD gas feed rate, the metering tube ball float will still be floating or fully rested on the bottom float stop.  
**NOTE:** Confirm that the Zero Voltage reading on the TOP LINE of the display falls in the acceptable range of **0.41** to **0.49** volts. If it falls outside the range, do not proceed further. Contact Chlorinators Incorporated.
- 3) After the zero voltage has been confirmed, loosen the lock nut (#7139) that is holding the valve plug (#7105 or 7506) in position on the lead screw shaft (#7109).  
**NOTE:** The top of the valve plug is also squared to accommodate the 11/32" wrench.
- 4) IF THE BALL IS FLOATING, use the wrench to turn the valve plug to the LEFT which will move it DOWN the lead screw shaft. The ball will begin to drop slowly. Just as it touches and comes to rest on the bottom stop of the metering tube, STOP turning the valve plug. This is the mechanical zero valve plug position. Carefully hold the valve plug in position and secure it using the lock nut.

#### OR

IF THE BALL IS ALREADY RESTING on the bottom float stop, turn the valve plug to the RIGHT to move it UP the lead screw shaft. Keep turning it until the ball begins to lift off of the bottom stop. Then slowly turn the valve plug back to the LEFT until the ball just touches and comes to rest on the float stop. Carefully hold the valve plug and tighten the lock nut. Mechanical zero is now set.

- 5) After mechanical zero is set, follow the remaining steps under **CAL VALVE** to complete LINEARIZING THE SMARTVALVE as explained in Section 6.0 (System Startup).



## 9.0 SPECIFICATIONS

### Maximum Gas Feed:

10-2000 PPD for Chlorine  
10-500 PPD for Sulfur Dioxide  
10-100 PPD for Ammonia

### Power Requirements:

Field selectable 115/230 VAC  $\pm 15\%$ , Single Phase  
Operating frequency 50/60 Hz

### Fusing:

1/4 A @ 230V, 1/2A @ 115V (Time Delay, 250V)

### Power Consumption:

45 Watts absolute maximum

### Input Signal:

4-20 milliamps DC

### Input Impedance:

250 Ohms

### Output Signals:

4-20 milliamps DC, 12 Volt compliance (600 Ohms)  
isolated and powered

### Micro-Controller:

MC9S12 with 128kB EEPROM, 2kB EEPROM, 8kB SRAM,  
16 Bit

### Display:

20-character, 2-line, Backlit LCD

### Relays:

Three (3) each, 10A 250 VAC

### Environmental Limits:

32 to 120°F (0 to 50°C)

### Calibration Accuracy:

$\pm 0.25\%$  from zero

### Speed of Response:

Variable and field selectable between 0.5 and 10.0 seconds  
per revolution of motor

### Operating Range:

10:1

### Pushbuttons:

Four (4) key array - integrated into the overlay

### Control Modes:

Automatic, manual electric and manual

### Dosage Ratio:

4:1 keypad adjustable

### Serial Communications:

OPTIONAL Isolated RS232/RS422/RS485 (2/4-Wire) module

### Stepper Motor:

Unipolar (5/6-Wire), 12 Volt, 1 A/winding, Size 23

### Enclosure Ratings:

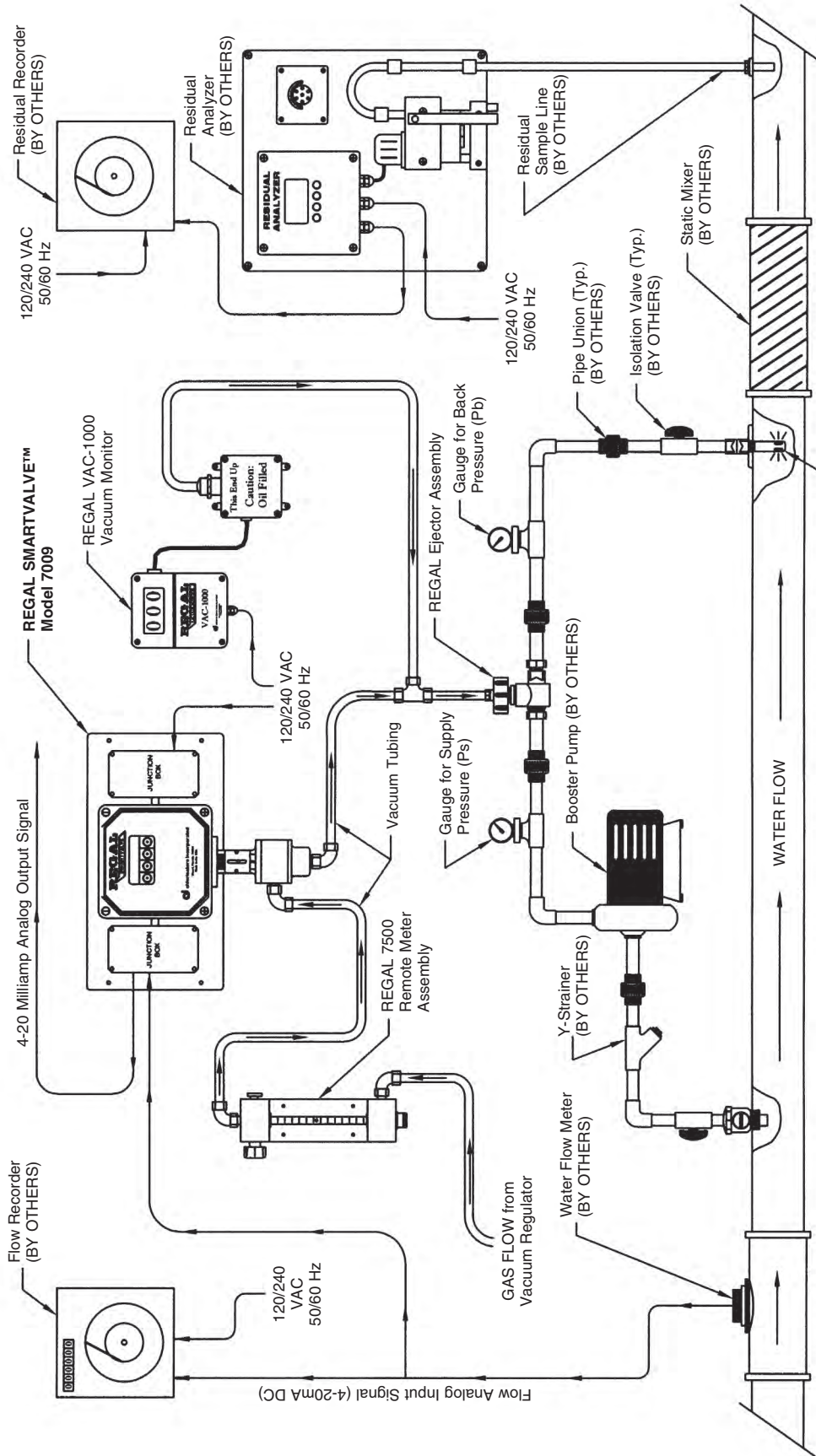
NEMA 4X (monitor and J-Boxes)

### Shipping Weight:

18 Lbs.

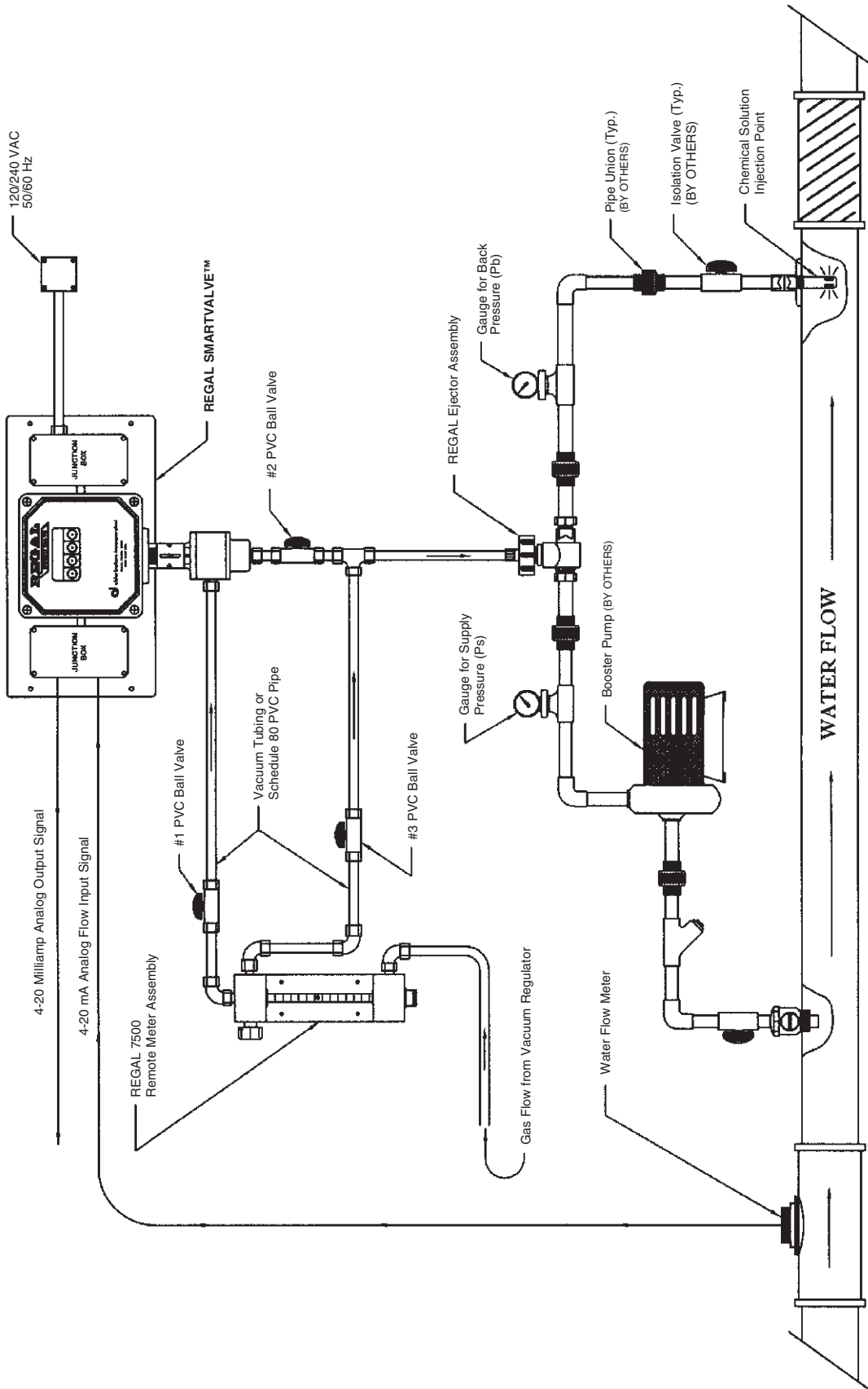
# DRAWING NO. 1 — TYPICAL INSTALLATION

## Flow Proportional Control System



**NOTE:** The sole purpose of this drawing is to show the gas flow path through the REGAL System components and the order in which these components are connected.

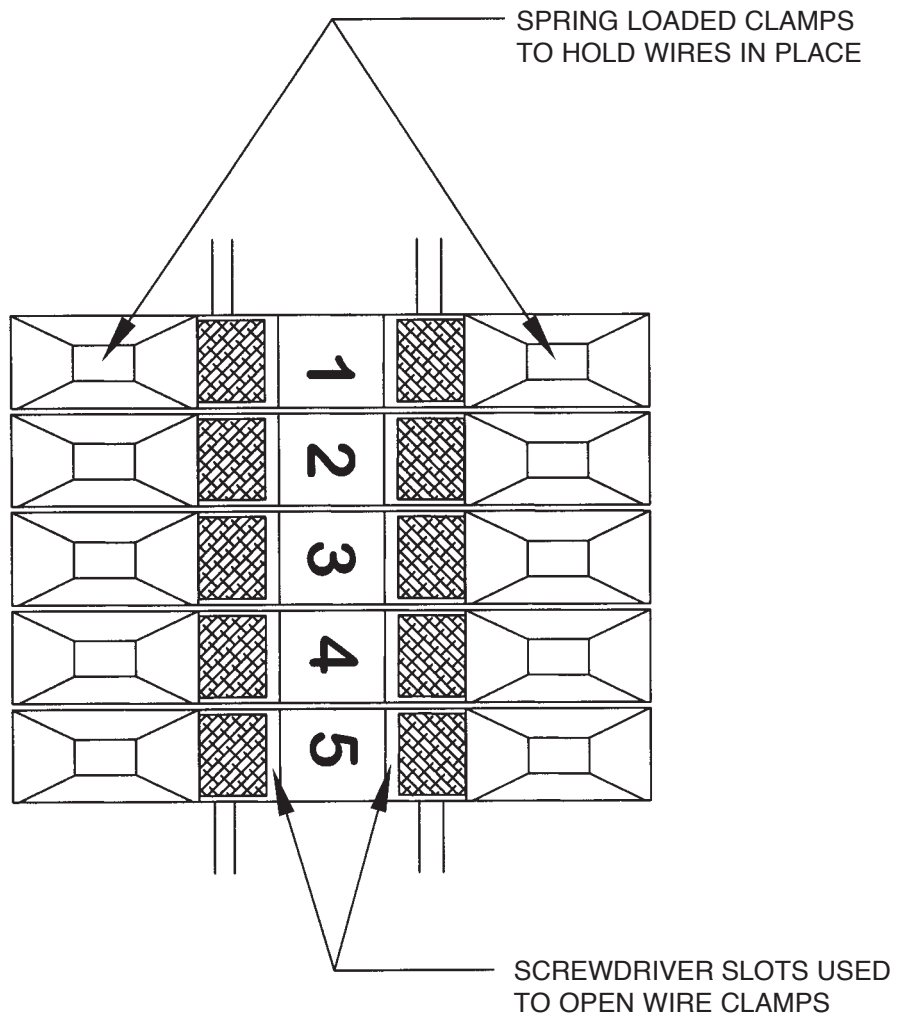
**DRAWING NO. 2 — SMARTVALVE™ INSTALLATION**  
**to Provide BOTH Manual and Automatic Operation**



- 1) For Automatic Operation, open ball valves #1 and #2. Close Valve #3.
- 2) For Manual Operation, close ball valves #1 and #2. Open Valve #3.

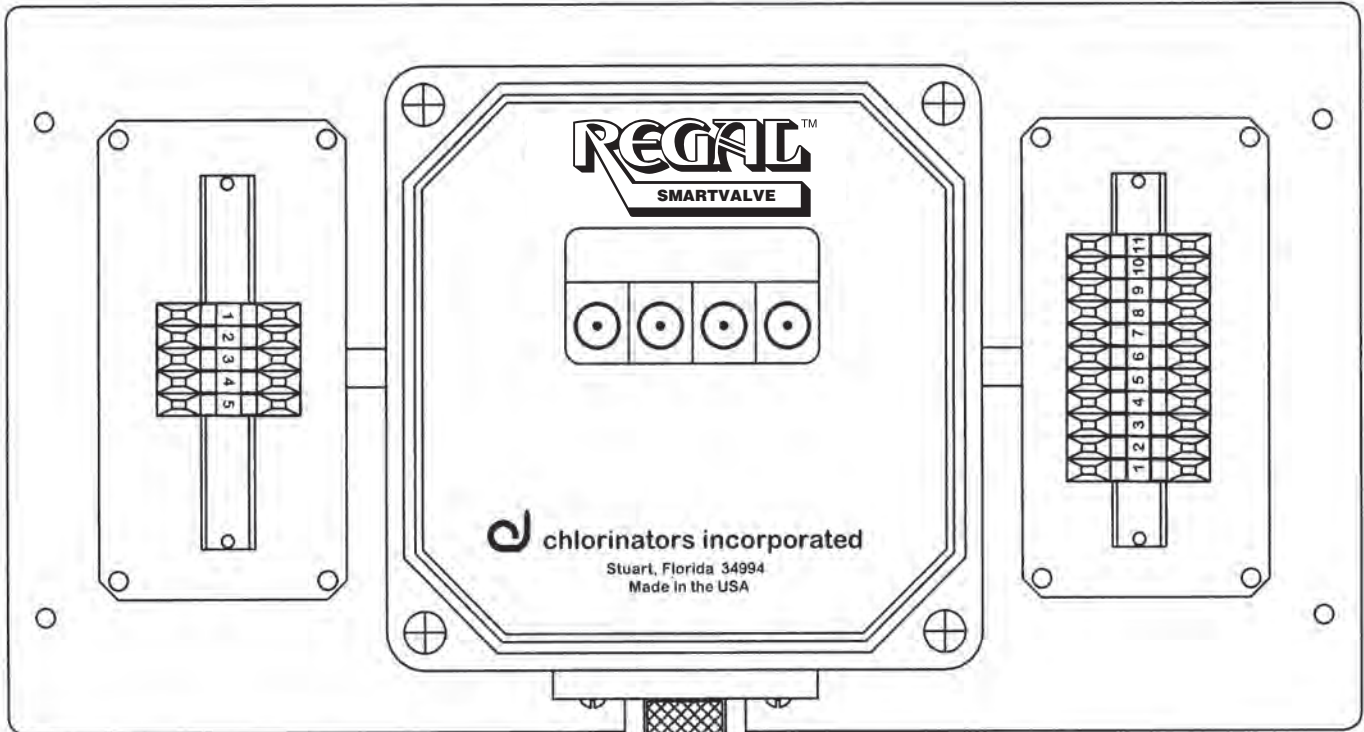
**DRAWING NO. 3 — USING REGAL TERMINAL STRIPS**  
**Terminal Strips Located in SMARTVALVE Junction Boxes**

---



Place the blade of a small screwdriver (such as the rate valve tool supplied with your REGAL chlorinator system) into the slot and tilt the screwdriver in the direction of the terminal number. This will open the clamp and allow the wire to be inserted. Remove the screwdriver and the clamp will close to hold the wire in place.

**DRAWING NO. 4 — TERMINAL STRIP DESIGNATIONS**  
**Flow Proportional Control**  
**Models 7001 and 7006**



**LEFT SIDE JUNCTION BOX**

- 1 - Flow Signal Input (Pos)
- 2 - Flow Signal Input (Neg)
- 3 - Flow Signal Input (Shield)
- 4 - Analog Output (Pos)
- 5 - Analog Output (Neg)

**NOTE:**

- 1. Input and Output Signals are 4-20 mA

**RIGHT SIDE JUNCTION BOX**

- 1 - "L" - See Note 1
- 2 - "N" - See Note 1
- 3 - Ground - See Note 1
- 4 - N/O Relay K1
- 5 - Com Relay K1
- 6 - N/C Relay K1
- 7 - N/O Relay K2
- 8 - Com Relay K2
- 9 - N/C Relay K2
- 10 - N/O Relay K3
- 11 - Com Relay K3

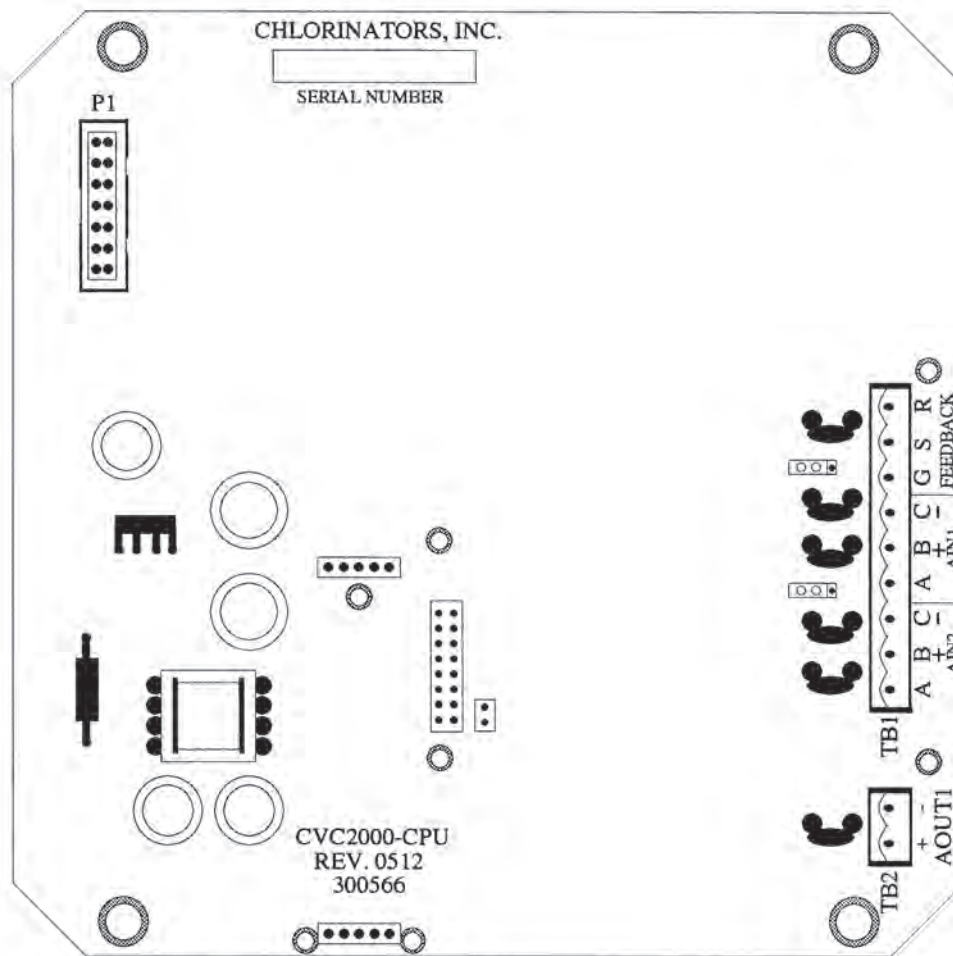
**NOTE:**

- 1. Terminals 1, 2 and 3 are 120/240 VAC 50/60Hz, single phase incoming power supplies.



**DRAWING NO. 5 — DISPLAY CIRCUIT BOARD**  
**Part Number 7070**

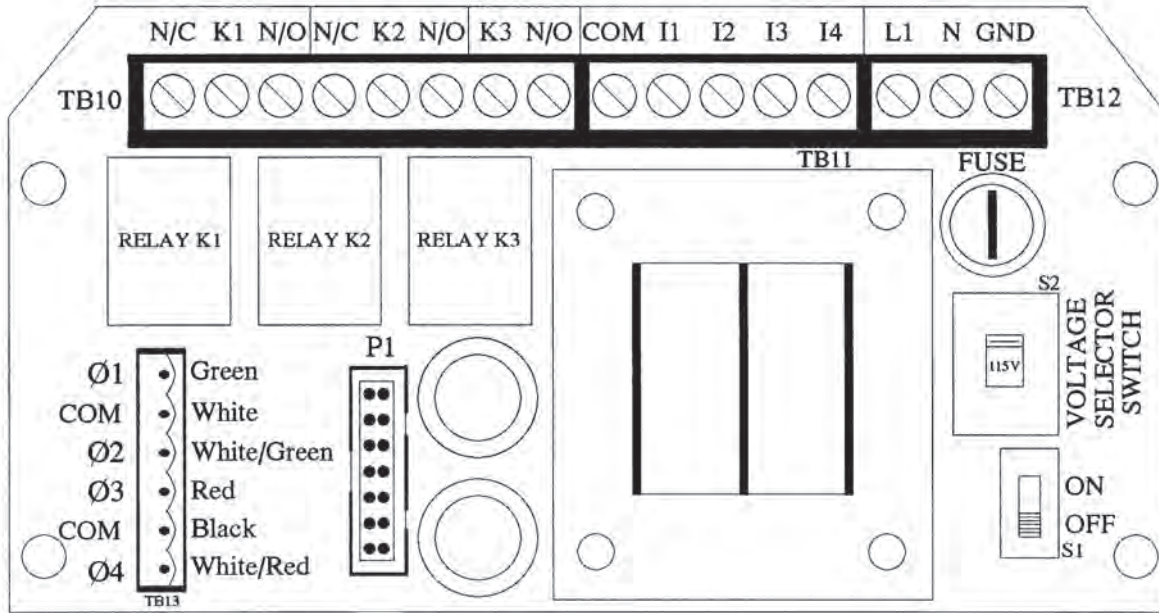
---



**NOTE:**

All wiring connections to this circuit board are made at the factory prior to shipment.  
See Drawing No. 4 for "Field Wiring."

**DRAWING NO. 6 — POWER/RELAY CIRCUIT BOARD**  
**Part Number 7071**

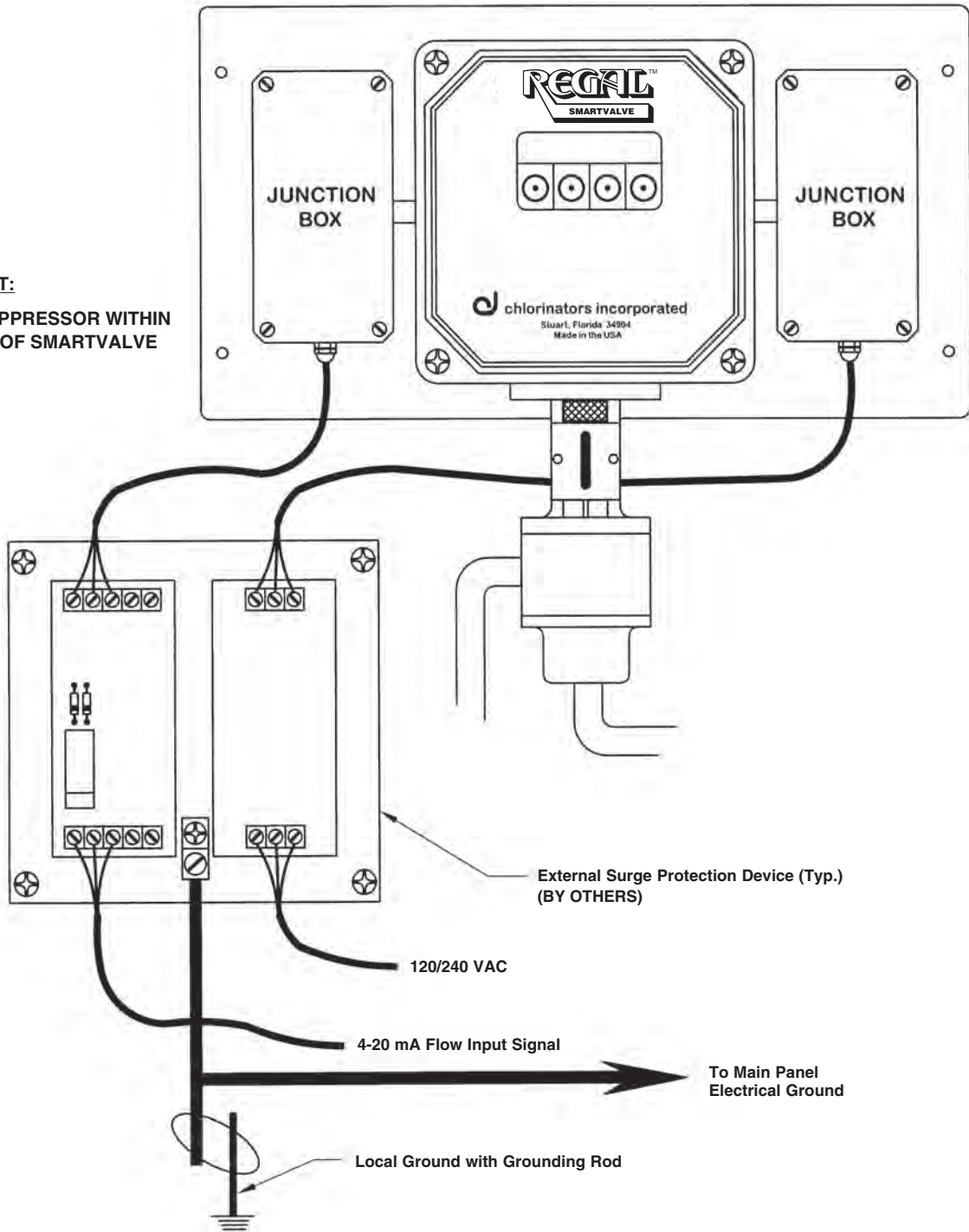


**NOTE:**

All wiring connections to this circuit board are made at the factory prior to shipment.  
 See Drawing No. 4 for "Field Wiring."

**DRAWING NO. 7 — USE OF EXTERNAL SURGE SUPPRESSORS**  
**Consult manufacturer of surge suppressor for installation and wiring specifics**

**IMPORTANT:**  
**MOUNT SUPPRESSOR WITHIN**  
**TWO FEET OF SMARTVALVE**



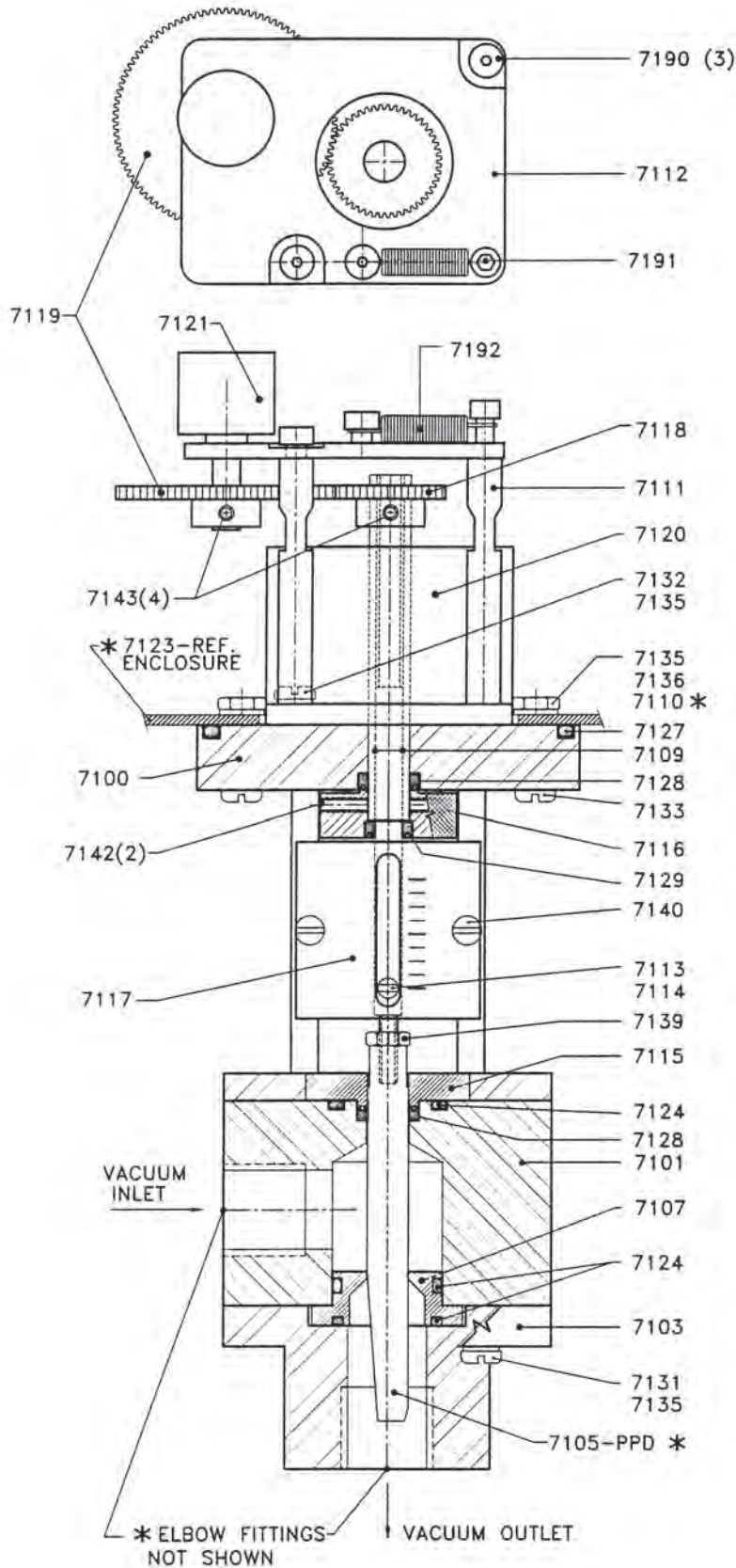
**IMPORTANT:**

Consult the manufacturer of the transient voltage surge suppression device for proper wiring of inputs and outputs. Analog and digital output signals should also be protected.

**NOTES:**

1. Surge protection devices MUST be grounded locally with a grounding rod and also at the main panel electrical ground.
2. Surge protection devices should clamp the 4-20 mA signal lines at 8-10 Volts, D.C. maximum.

**DRAWING NO. 8 — CONTROL VALVE ASSEMBLY**  
**Part Number 7003 - 10 to 500 PPD**



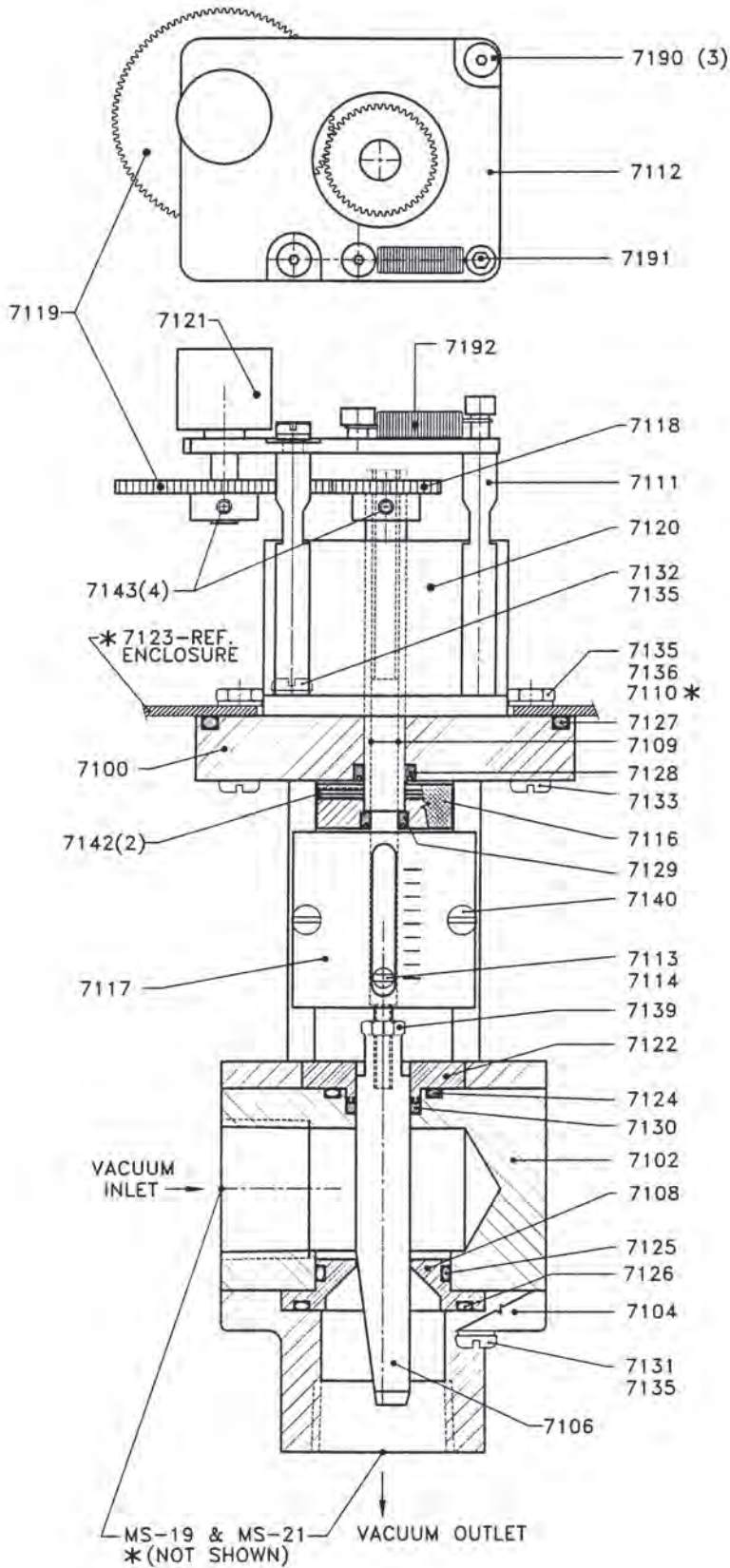
Part No.	Quantity	Description
7100	1	Yoke
7101	1	Top Body
7103	1	Bottom Body
7105 *	1	Valve Plug (PPD)
7107	1	Valve Seat
7109	1	Lead Screw
7110 *	1	Nut Plate (not shown)
7111	3	Standoff
7112	1	Mounting Plate
7113	1	Indicator Screw
7114	1	Indicator Nut
7115	1	Guide/Retainer
7116	1	Knob/Knurled
7117	1	Indicator Plate
7118	1	Driver Gear
7119	1	Follower Gear
7120	1	Stepper Motor
7121	1	Potentiometer
7124	3	S-405 "O" Ring
7127	1	S-414 "O" Ring
7128	2	Seal
7129	1	Seal
7131	4	Screw-#10-24 X 2 1/2
7132	1	Screw-#10-24 X 1/2
7133	4	Screw-#10-32 X 1 with "O" Ring
7135	5	#10 Lock Washer
7136	3	#10-32 Nut
7139	1	#8-32 Nut
7140	2	Screw-#6-32 X 1/4
7142	2	#6-32 Set Screw X 3/8
7143	4	#6-32 Set Screw X 1/4
7190	3	Shoulder Screw
7191	1	Cap Screw
7192	1	Spring
- *	2	Elbow Fitting (PPD)
ZZ-275		3/8 OD Tube (10-100 PPD)
ZZ-276		1/2 OD Tube (250-PPD)
ZZ-277		5/8 OD Tube (500-PPD)

**\*NOTES:**

- P/N 7105 valve plug  
 7105 - 1 for (10 & 25 PPD)  
 7105 - 3 for (50 & 100 PPD)  
 7105 - 5 for (250 & 500 PPD)
- P/N 7110 not shown.  
 1/8 x 7/16 x 2 1/4
- P/N 7123 is not part of this assembly.



**DRAWING NO. 9 — CONTROL VALVE ASSEMBLY**  
**Part Number 7004 - 1000/2000 PPD**



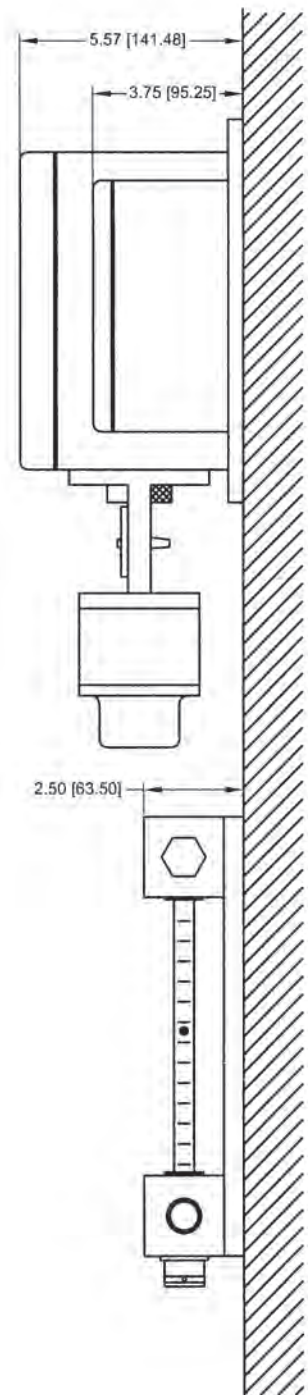
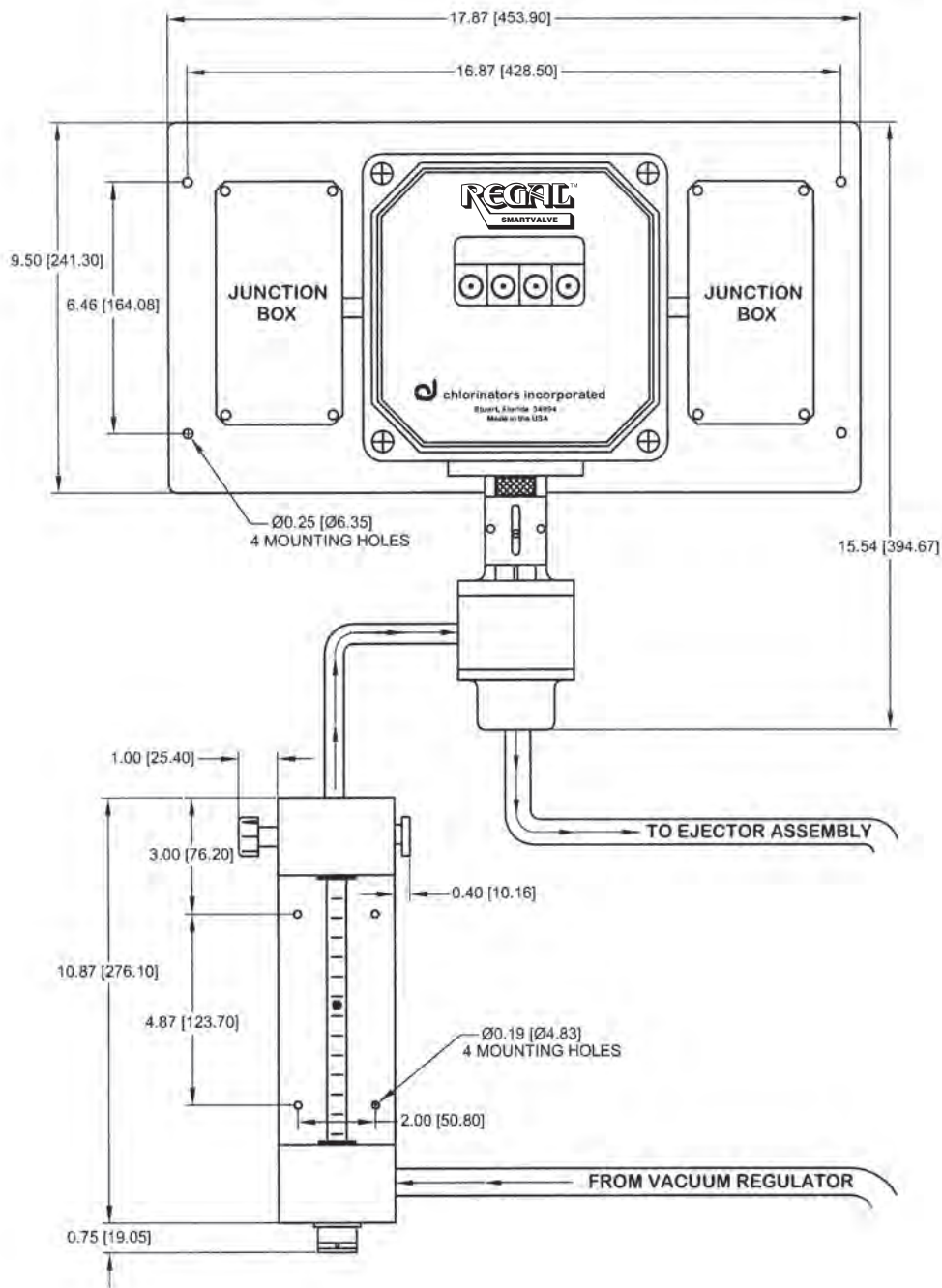
Part No.	Quantity	Description
7100	1	Yoke
7102	1	Top Body
7104	1	Bottom Body
7106	1	Valve Plug
7108	1	Valve Seat
7109	1	Lead Screw
7110 *	1	Nut Plate
7111	3	Standoff
7112	1	Mounting Plate
7113	1	Indicator Screw
7114	1	Indicator Nut
7116	1	Knob/Knurled
7117	1	Indicator Plate
7118	1	Driver Gear
7119	1	Follower Gear
7120	1	Stepper Motor
7121	1	Potentiometer
7122	1	Guide/Retainer
7124	1	S-405 "O" Ring
7125	1	S-415 "O" Ring
7126	1	S-407 "O" Ring
7127	1	S-414 "O" Ring
7128	1	Seal
7129	1	Seal
7130	1	Seal
7131	4	Screw-#10-24 X 2 1/2
7132	1	Screw-#10-24 X 1/2
7133	4	Screw-#10-32 X 1 with "O" Ring
7135	5	#10 Lock Washer
7136	3	#10-32 Nut
7139	1	#8-32 Nut
7140	2	Screw-#6-32 X 1/4
7142	2	#6-32 Set Screw X 3/8
7143	4	#6-32 Set Screw X 1/4
7190	3	Shoulder Screw
7191	1	Cap Screw
7192	1	Spring
MS19 *	2	1" NPT Union
MS21 *	2	1" NPT Close Nipple

**\*NOTES:**

1. P/N 7110 not shown.  
1/8 x 7/16 x 2 1/4
2. P/N 7123 is not part of this assembly.
3. MS19 and MS21 fittings not shown.



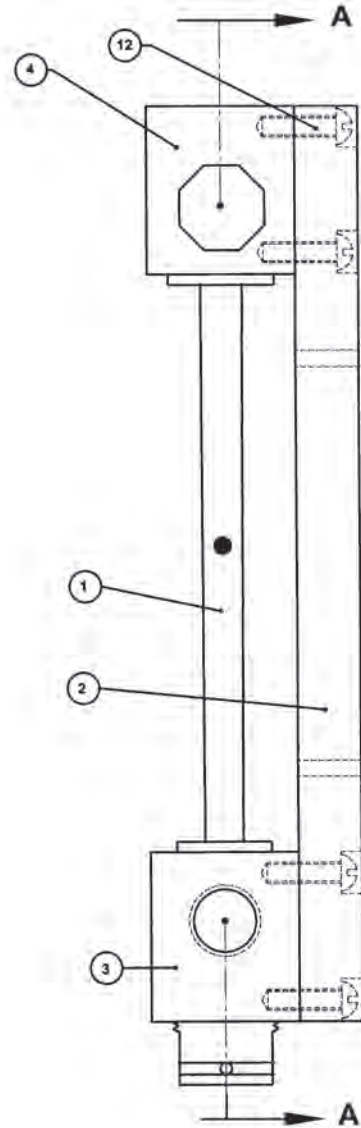
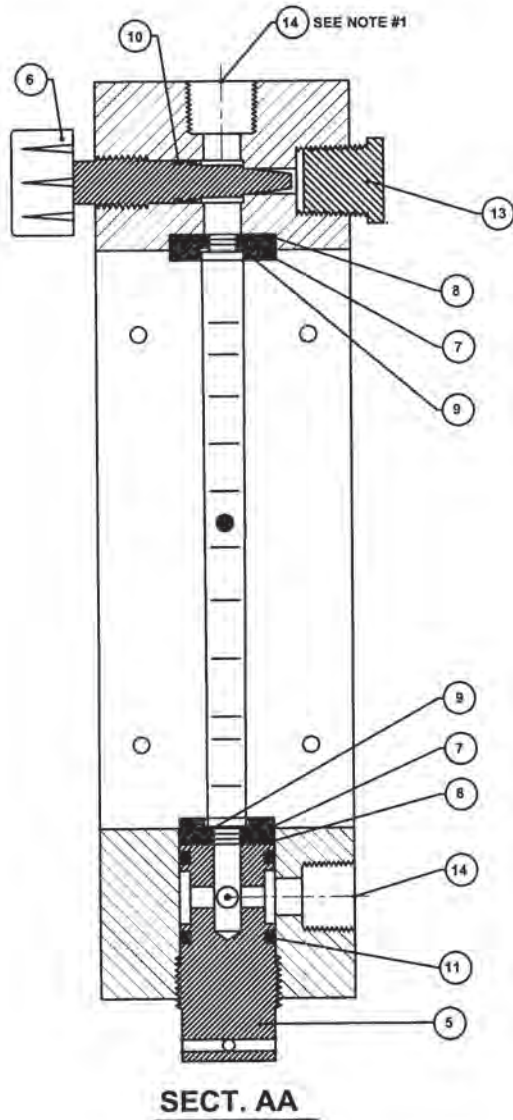
**DRAWING NO. 10 — ENGINEERING DATA SHEET**  
**Series 7000 SMARTVALVE™ Dimensions**



**7500 REMOTE METER PANEL**

**DIMENSIONS = INCHES [mm]**

**DRAWING NO. 11 — 7500 REMOTE METER PANEL ASSEMBLY**  
**For 10/ to 500 PPD Systems**



Ref No	Part No.	Quantity	Description
1	See Chart	1	Meter Tube Assembly
2	7502	1	Base Plate
3	7503	1	Bottom Block
4	7504	1	Top Block
5	7505	1	Meter Tube Plug
6	RV-831	1	Rate Valve Plug Assembly
7	See Chart	2	Top and Bottom Bushing
8	G-700	2	Top and Bottom Bushing Gasket
9	See Chart	2	Top and Bottom Meter Tube Gasket
10	S-403	2	Rate Valve Plug O-Ring
11	S-406	2	Meter Tube Plug O-Ring
12	Z-815	4	Screw, 1/4-20 x 1" Long
13	ZZ-278	1	Plug, 1/2" NPT
14	See Chart	2	Tube Fitting, Elbow (Not Shown)

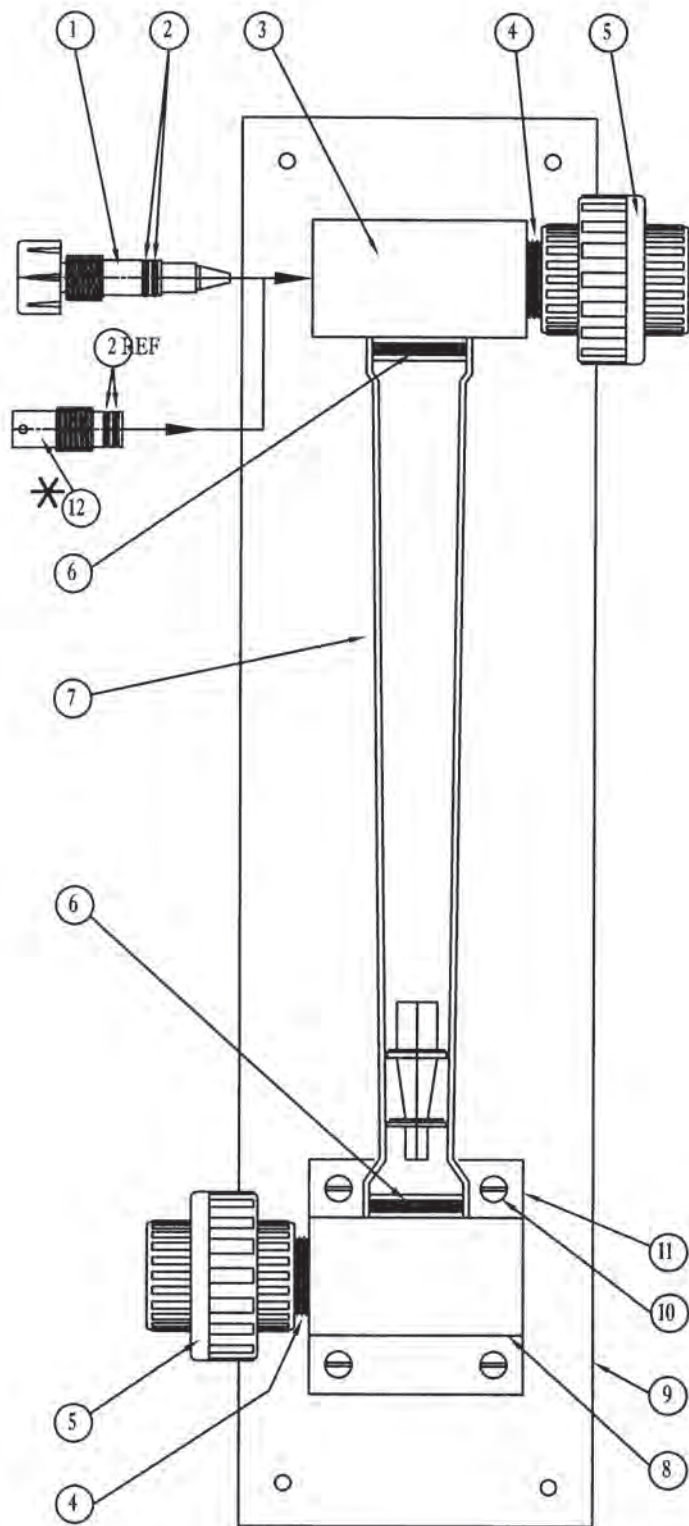
REF NO.	10 PPD (200 gms/hr)	25 PPD* (500 gms/hr)	50 PPD (900 gms/hr)	100 PPD (1900 gms/hr)	250 PPD (5000 gms/hr)	500 PPD (10 kg/hr)
1	7501-10	7501-25	7501-50	7501-100	7501-250	7501-500
7	7521	7521	7522	7523	7509	7510
9	G-701	G-706	G-706	G-702	G-703	G-704
14	ZZ-275	ZZ-275	ZZ-275	ZZ-275	ZZ-276	ZZ-277

\*25 PPD – If purchased prior to January 2013,  
 use Part #7522 and G-702

**NOTE:**

If system is using 1000 PPD or 2000 PPD Remote Metering Panel Assembly, refer to the Instruction Manual for information on these high capacity gas feed systems.

**DRAWING NO. 12 — REMOTE METER PANEL ASSEMBLY**  
**For 1000/2000 PPD Systems**

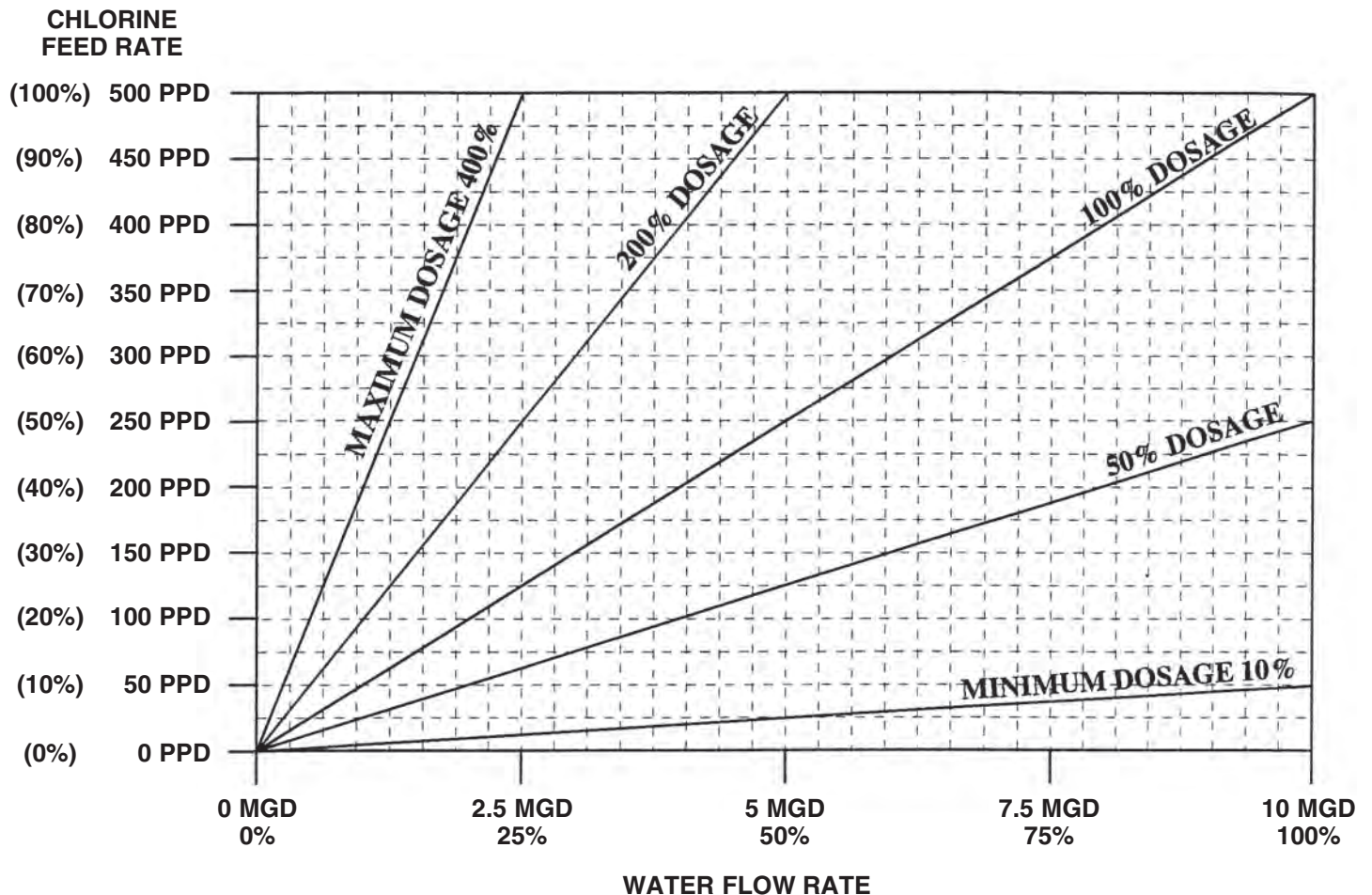


Ref. No.	Part No.	Quantity	Description
1	RV-825	1	Rate Valve Plug Assembly 1000/2000 PPD (20/40 Kg/Hr) (For Manual control only)
2	S-803	2	Rate Valve Stem Seal
3	RV-810	1	Rate Valve Seat Block
4	MS-21	2	1" NPT Close Nipple
5	MS-19	2	1" NPT Union
6	S-801	2	Metering Tube Seal
7		1	Metering Tube/Float Assembly A-2100 1000 PPD (20 Kg/Hr) A-2200 2000 PPD (40 Kg/Hr)
8	RV-814	1	Flow Meter Inlet Block
9	D-2000	1	Back Panel
10	Z-815	12	Mounting Screws For RV-810 & RV-814
11	D-2001	1	Base Plate for RV-814
12	RV-824*	1	Rate Valve Seat Plug with (2) S-803 Seals

**NOTES:**

1. Include Chlorinator Serial Number and Capacity on order.
- \*2. RV-824 rate valve seat plug with two S-803 seals supplied with SMARTVALVE at 1000/2000 PPD only.

## DRAWING NO. 13 — DOSAGE EXPLANATION



The dosage adjustment is used to set (or change) the ratio of chemical gas flow rate with respect to the process variable (Water Flow Rate) and the water quality (Demand). When using a flow proportional system, 100% dosage is achieved when the chemical feeder is operating at 100% of its feed rate based on an incoming flow meter signal representing 100% of water flow rate. As long as this ratio is maintained, the dosage is 100%.

### EXAMPLE (See above graph):

A 500 PPD maximum feed chlorinator must operate at 500 PPD to treat a maximum water flow rate of 10 MGD. If the water flow rate decreases to 5 MGD (50%), the SMARTVALVE™ will automatically decrease the chlorinator gas feed rate to 250 PPD (50%) which is still 100% dosage.

In actual plant and system operation, however, the actual "required" dosage is rarely 100%. Because of this, the SMARTVALVE™ is designed to provide a wide range of dosage adjustment (10% - 400%) and is easily set by the system operator via the keypad.

1. At dosage settings greater than 100%, proportionality is lost at some water flow rate less than the designed maximum rate. If the dosage setting is increased to 200% for example, proportional control is only maintained up to 50% of water flow rate because at these conditions, the feeder is already at its maximum and cannot further respond to water flow rate requirements above 50%.

2. At dosage settings less than 100%, a portion of the operating range of the feeder is sacrificed. If the dosage setting is decreased to 50% for example, the upper 50% of the feeder's metering tube cannot be used.

Reasonable dosage adjustments of a properly sized flow proportional system are normal. Excessive and extreme adjustments could be the result of an under- or oversized system requiring a change in overall system capacity. At a minimum, this usually requires changing the SMARTVALVE's valve plug and the metering tube in the gas feeder unit. **ADDITIONAL COMPONENTS MAY ALSO BE NEEDED.**

 **chlorinators incorporated**

1044 SE Dixie Cutoff Road, Stuart, Florida 34994 USA

Phone: (772) 288-4854 • Fax: (772) 287-3238 • [www.regalchlorinators.com](http://www.regalchlorinators.com) • Email: [regal@regalchlorinators.com](mailto:regal@regalchlorinators.com)